

HANG OVER Underwater LED Light

FOR PREFABRICATED POOLS

Hang Over Underwater LED Light specifically designed for DIY installation to above ground pools. Complete with 50W/12V AC transformer, 5 + 2 meters cable. The product is ready to be connected to 220V AC to start function. Easy DIY install with two screws to pool coping. Optional elongation part (13.5 cm) to be used to install at deeper levels.



Special, elegant, stylish and patented design

Easy snap mechanism by design

In A + energy class

In IP68 protection class

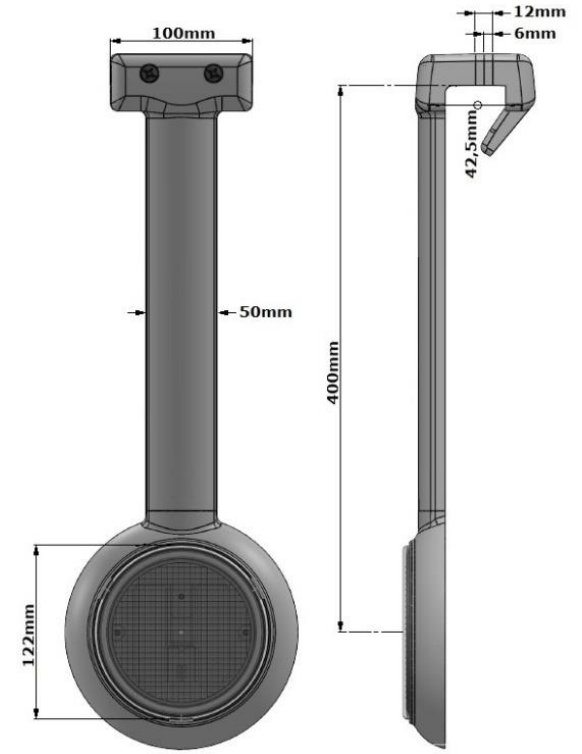
Ability to direct connect 220-230V / 50-60Hz network line

Can be easily installed in above ground swimming pools

Product Information:

Technical Specifications

Scope of application	Prefabricated Swimming Pools
Body	Black PA6
Diffuser	Polycarbonate
Light Distribution	120 Degree
Light Operating Voltage	12V AC
Light Protection Degree	Class III, IP68
Light Energy Class	A+
Cable Length	5+2 meters
Transformer Input Voltage	220V AC
Transformer Output Voltage	12V AC
Transformer Power	20V.A.
Transformer Protection Degree	IP65



Code	Colour	Led Number	VOLTAJ (±2V)	Power (Max.)	Luminous Flux (lm)	LED Angle
0511611	White	72	12V AC/DC	10 W	720	120°
0511612	Daylight	72	12V AC/DC	10 W	720	120°
0511613	Turquoise	72	12V AC/DC	10 W	360	120°
0511614	Blue	72	12V AC/DC	10 W	216	120°
0511615	Red	72	12V AC/DC	10 W	288	120°
0511616	Green	72	12V AC/DC	10 W	504	120°
0511711	RGB Built-in Control	72	12V AC/DC	10 W	360	120°
0511712	RGB Central Control	72	12V AC/DC	10 W	360	120°



"Pool Technology"