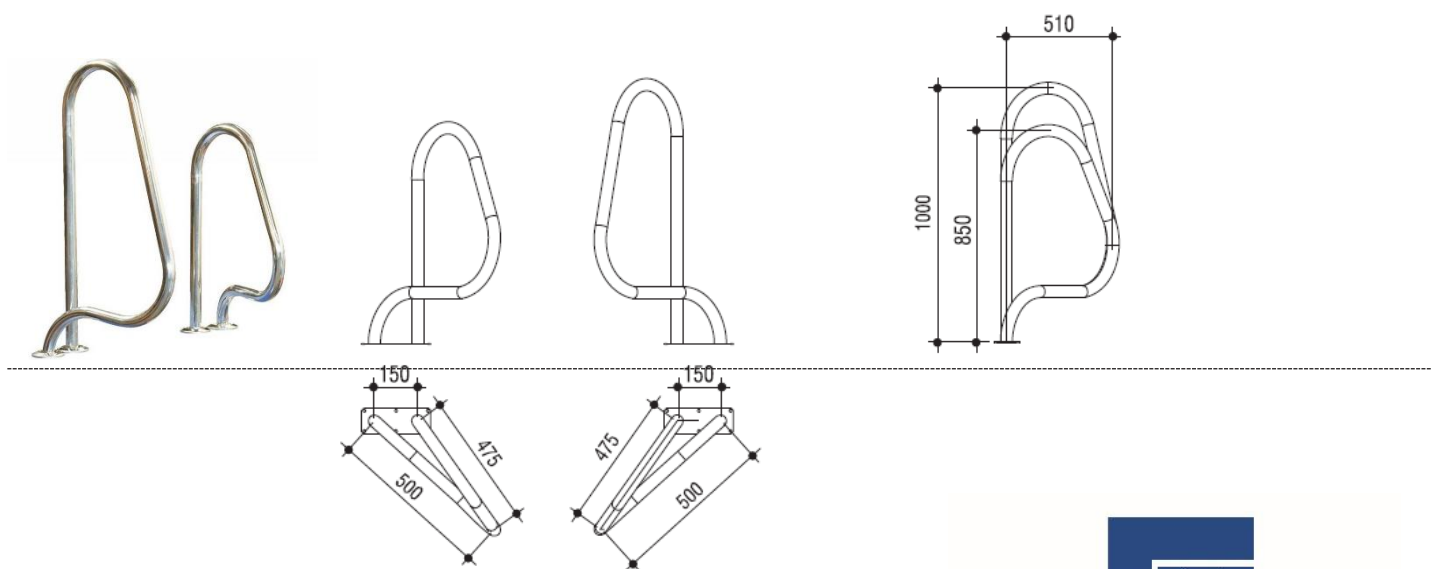
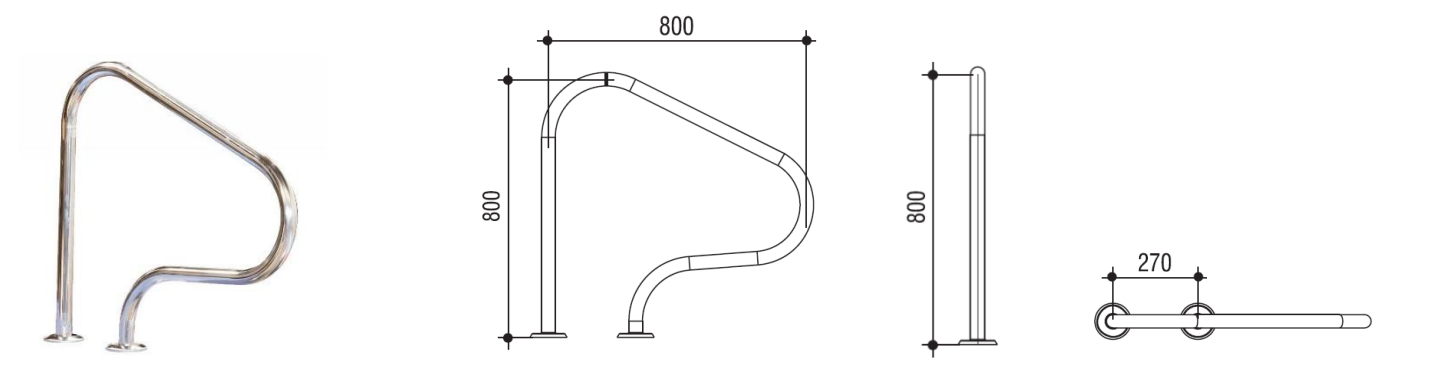
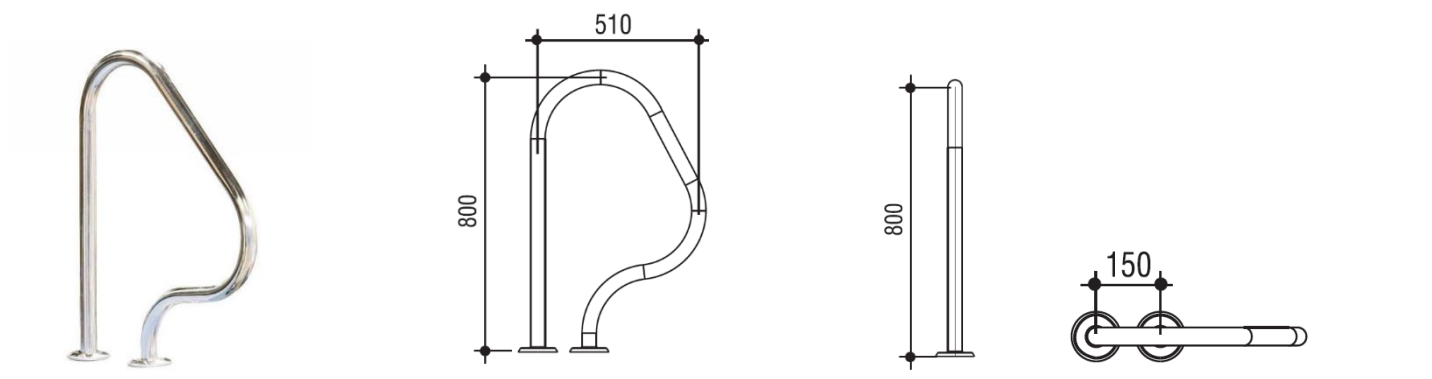


# GRAB RAILS

## FOR SPLIT MODEL POOL LADDERS

Dimensions with 470 x 800 mm. Made of Ø 42 mm AISI 304 stainless steel pipe. Complete with fixing plates, gaskets, bolts and bolt plugs.



Code	Description	Pieces/Box	Weight (kg)	Volume (m <sup>3</sup> )
03322	Set of 2	1	5.00	0.06
03323	Set of 2	1	5.00	0.06
03324	Set of 2	1	5.00	0.06